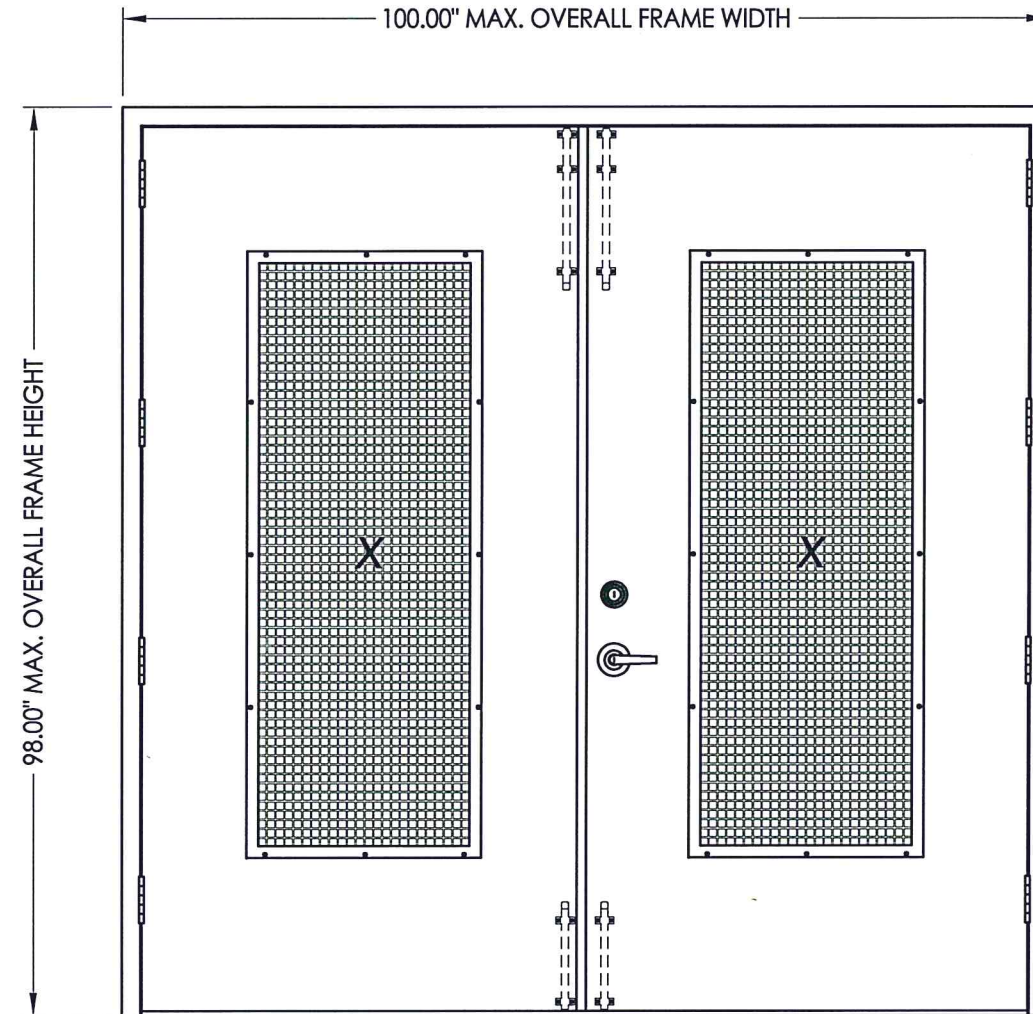


"D" SERIES COMMERCIAL STEEL DOOR OUTSWING "IMPACT"

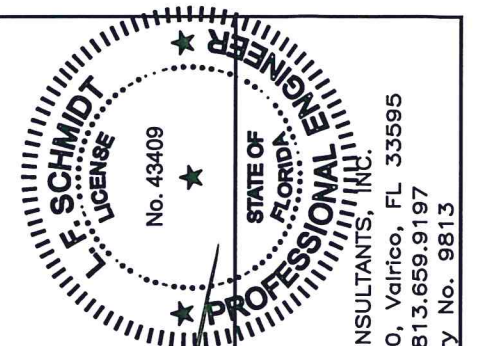
GENERAL NOTES


1. This product has been evaluated and is in compliance with the 7th Edition (2020) Florida Building Code (FBC) structural requirements including the "High Velocity Hurricane Zone" (HVHZ).
2. Product anchors shall be as listed and spaced as shown on details. Anchor embedment to base material shall be beyond wall dressing or stucco.
3. When used in the "HVHZ", this product complies with Section 1626 of the Florida Building Code and does not require an impact resistant covering.
4. Site conditions that deviate from the details of this drawing require further engineering analysis by a licensed engineer or registered architect.
5. Outswing configurations using sill item #40 do not meet the water infiltration requirements for the "HVHZ" and shall be installed only in non-habitable areas or at habitable locations protected by an overhang or canopy such that the angle between the edge of canopy or overhang to sill is less than 45 degrees.
6. All steel shall be protected as specified in Section 2222.6 of the FBC.

TABLE OF CONTENTS	
SHEET #	DESCRIPTION
1	Typical elevation, design pressures & general notes
2	Door panel details
3	Horizontal & vertical cross sections
4	Anchoring details
5	Components
6	Bill of materials & components

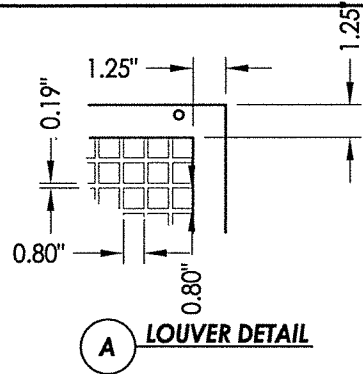


OVERALL FRAME DIMENSION	DESIGN PRESSURE (PSF)	
	POSITIVE	NEGATIVE
100.0" x 98.0"	+75.0	-75.0

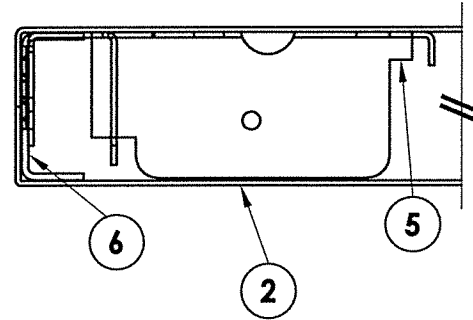



 November 15, 2022
 Documents Prepared By:
 Lyndon F. Schmidt
 P.E. No. 43409
 BUILDING CONSULTANTS, INC.
 P.O. Box 230, Valrico, FL 33595
 Phone No.: 813.659.9197
 FBPE Registry No. 9813

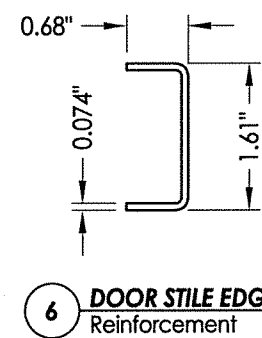
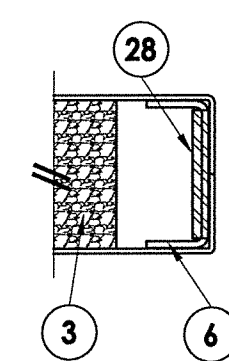
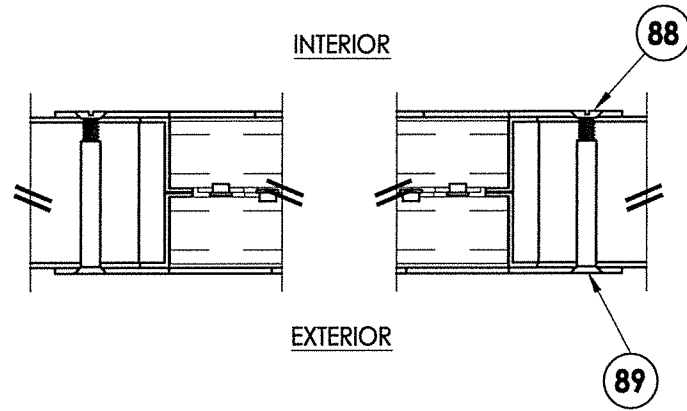
PRODUCT: PREMIER PRODUCTS, INC. "D" STEEL DOOR	
PART OR ASSEMBLY: TYPICAL ELEVATION, DESIGN PRESSURES & GENERAL NOTES	
NO.	DATE
BY	REVISIONS
DATE: 11/10/22	
SCALE: N.T.S.	
DWG. BY: LFS	
CHK. BY: RW	
DRAWING NO.: FL-41788.20	
SHEET 1 OF 6	



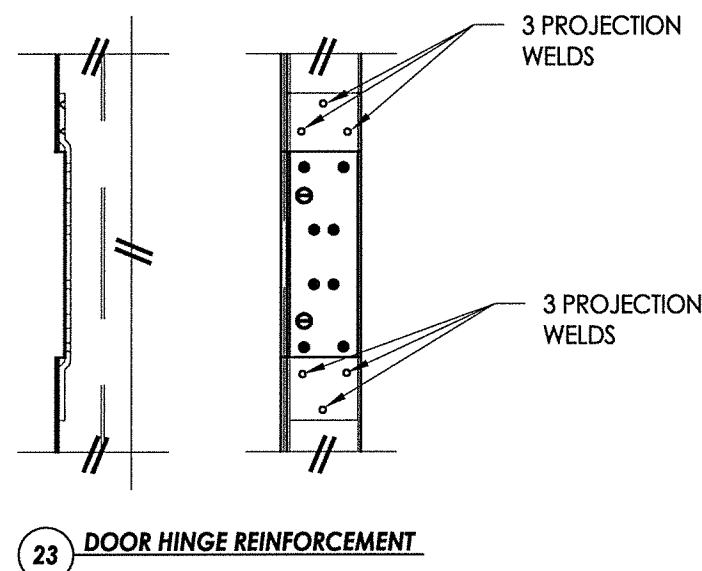
A LOUVER DETAIL



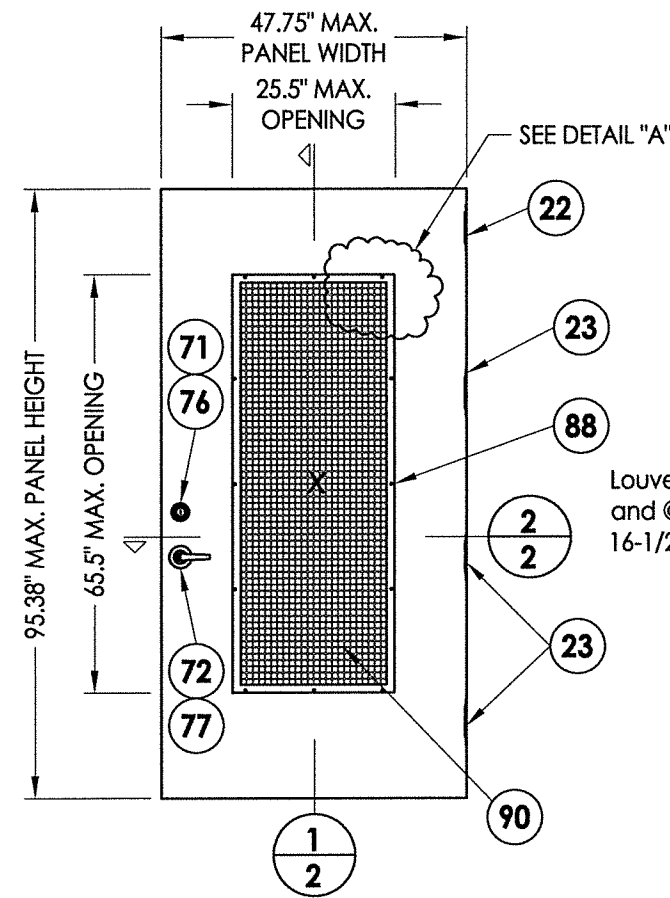
2 HORIZONTAL CROSS SECTION



6 DOOR STILE EDGE Reinforcement

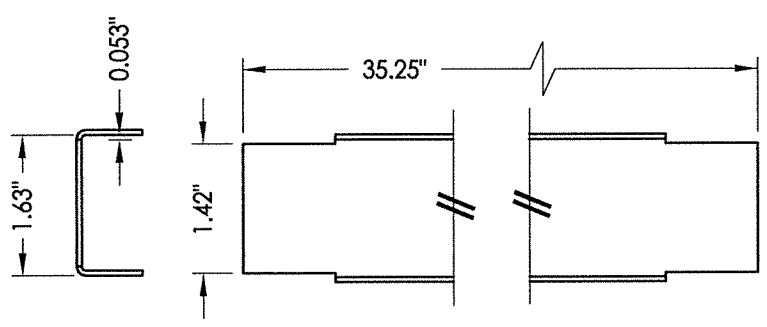


23 DOOR HINGE REINFORCEMENT

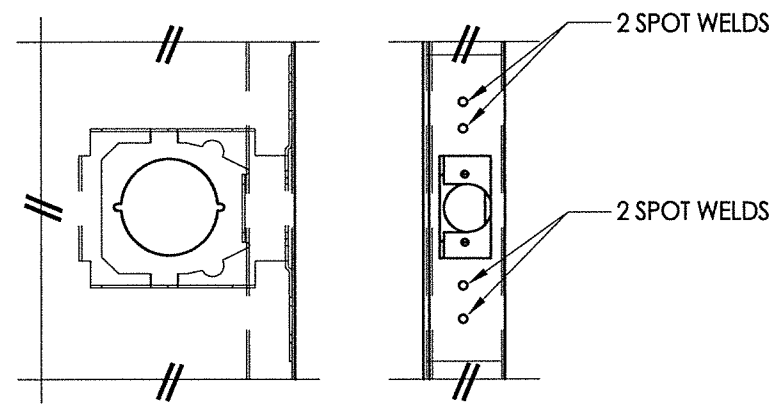


1 "D" STEEL DOOR PANEL

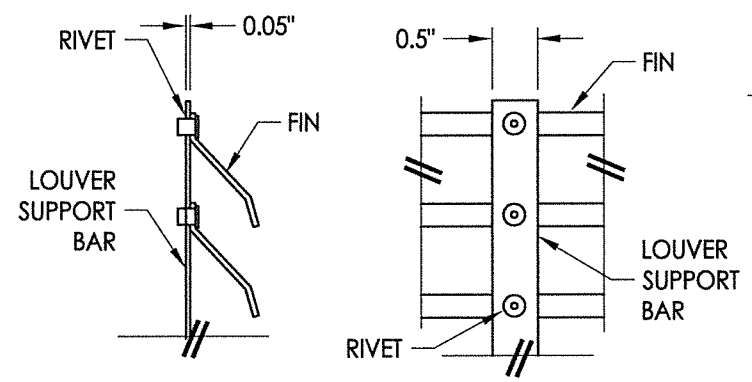
Louver retaining screws @ 2" from corners and @ centerline along top & bottom 16-1/2" max. o.c. along sides



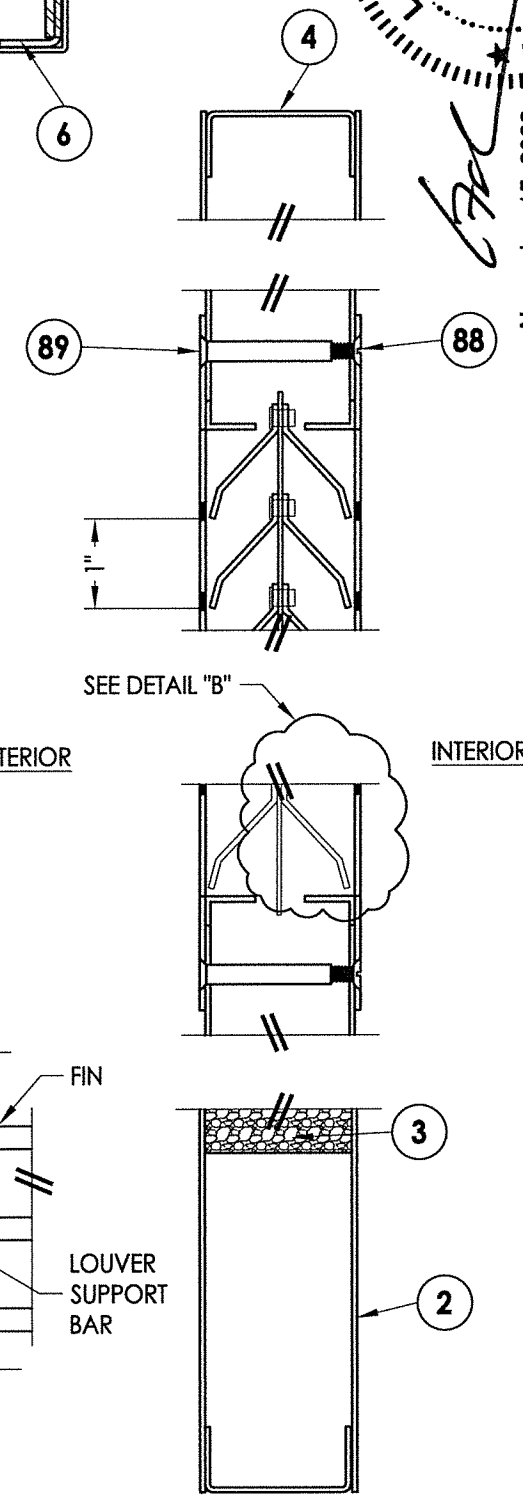
4 DOOR TOP & BOTTOM CLOSER



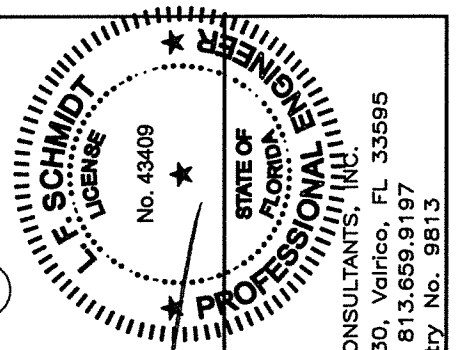
5 LOCK BOX REINFORCEMENT



B LOUVER ATTACHMENT DETAIL
Left fin omitted for clarity



1 / **2** VERTICAL CROSS SECTION

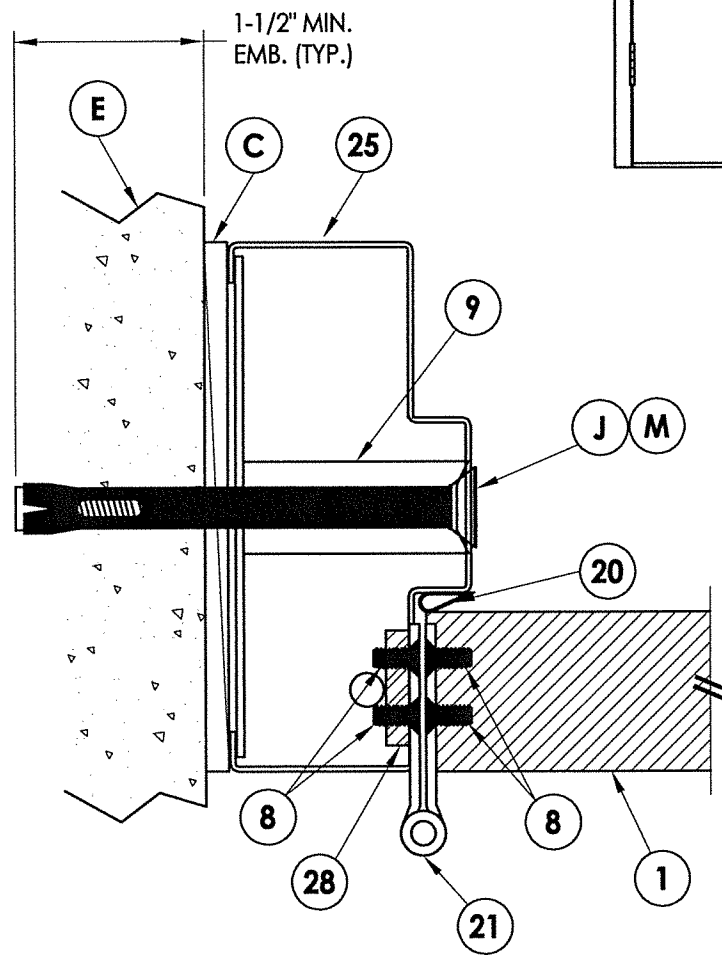


November 15, 2022
 Documents Prepared By:
 Lyndon F. Schmidt
 P.E. No. 43409

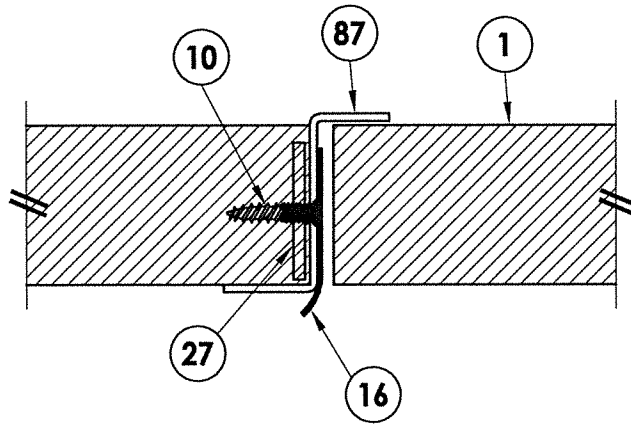
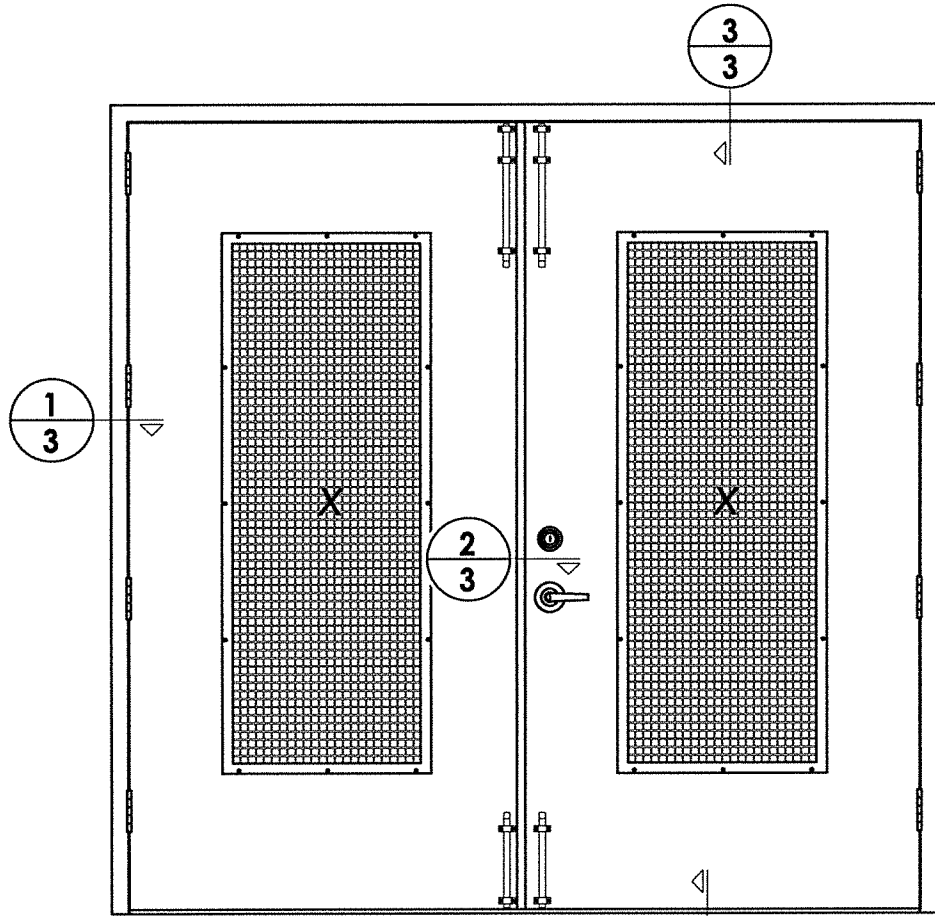
R.W. BUILDING CONSULTANTS, INC.
 P.O. Box 230, Valrico, FL 33595
 Phone No.: 813.659.9197
 FBPE Registry No. 9813

PRODUCT:	PREMIER PRODUCTS, INC. "D" STEEL DOOR
PART OR ASSEMBLY:	DOOR PANEL DETAILS
NO.	DATE
BY	
REVISIONS	
DATE:	11/10/22
SCALE:	N.T.S.
DWG. BY:	LFS
CHK. BY:	RW
DRAWING NO.:	FL-41788.20
SHEET	2 OF 6

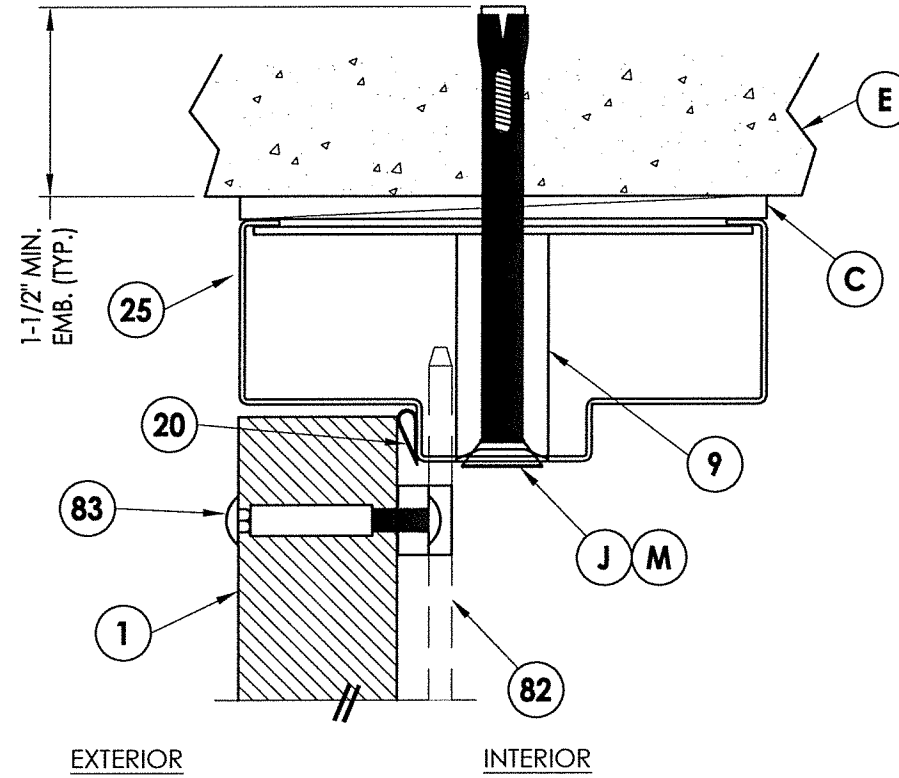
Z:\Clients\Premier Products PERMANENTVA - Florida Product Approvals\FL-41788C - Drawings\FL-41788 (2020)\FL-41788.18-23.dwg



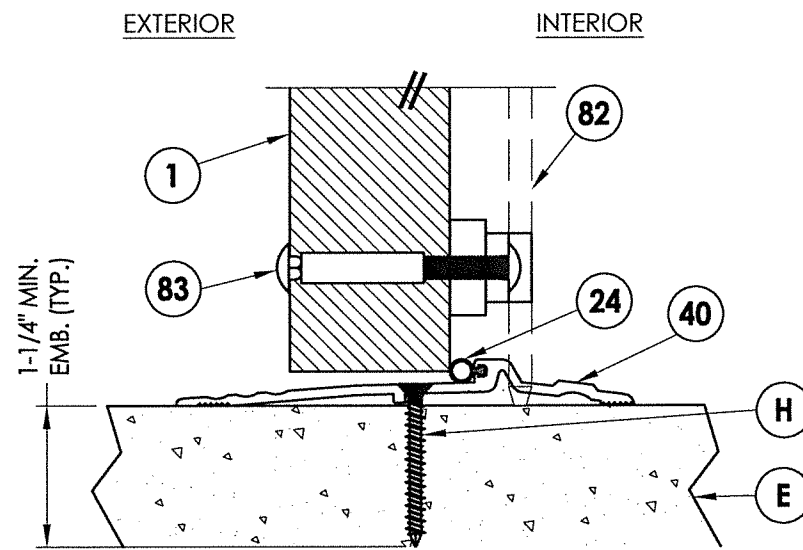
1
3 HORIZONTAL CROSS SECTION



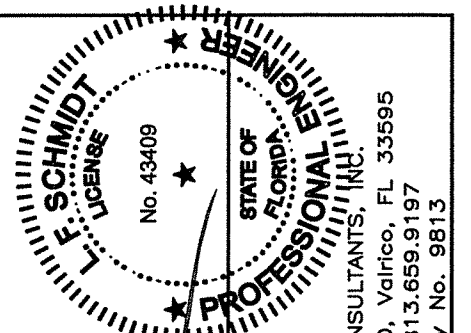
2
3 HORIZONTAL CROSS SECTION



3
3 VERTICAL CROSS SECTION



4
3 VERTICAL CROSS SECTION



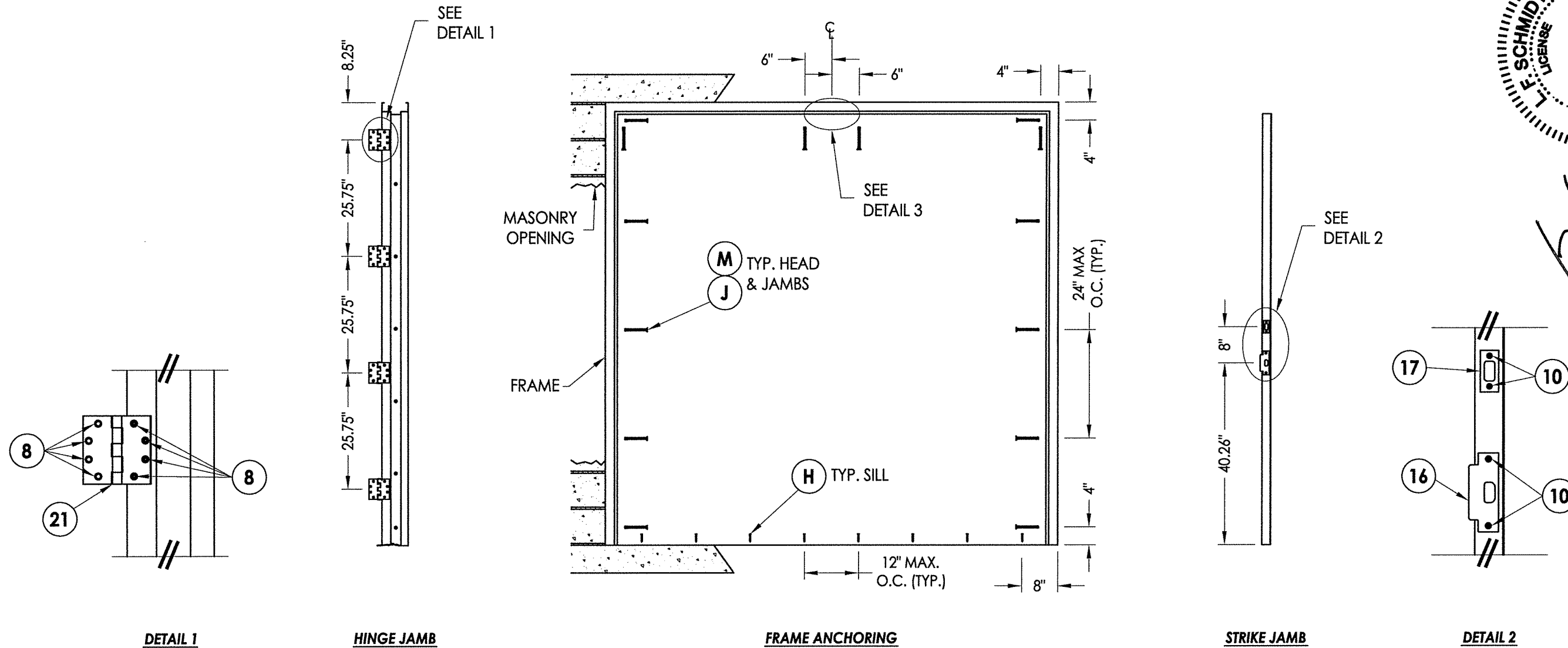
November 15, 2022
 Documents Prepared By:
 Lyndon F. Schmidt
 P.E. No. 43409
 R.W. BUILDING CONSULTANTS, INC.
 P.O. Box 230, Vairico, FL 33595
 Phone No.: 813.659.9197
 FBPE Registry No. 9813

PRODUCT: PREMIER PRODUCTS, INC. "D" STEEL DOOR
 PART OR ASSEMBLY: HORIZONTAL & VERTICAL CROSS SECTIONS

NO.	DATE	BY	REVISIONS

DATE: 11/10/22
 SCALE: N.T.S.
 DWG. BY: LFS
 CHK. BY: RW
 DRAWING NO.: FL-41788.20
 SHEET 3 OF 6

Z:\Clients\Premier Products PERMANENTVA - Florida Product Approvals\FL-41788\C - Drawings\FL-41788.18-23.dwg



- ANCHOR NOTES:**
1. Substitution of equal concrete screws from a different supplier may have different edge distance and center distance requirements.
 2. Concrete screw locations at the corners may be adjusted to maintain the minimum distance to mortar joints. If concrete screw locations noted as "MAX. ON CENTER" must be adjusted to maintain the minimum edge distance to mortar joints, additional concrete screws may be required to ensure the maximum on center dimension is not exceeded.
 3. Concrete Anchor Table:

ANCHOR TYPE	ANCHOR SIZE	MINIMUM EMBEDMENT	MINIMUM CLEARANCE TO MASONRY EDGE	MINIMUM CLEARANCE TO ADJACENT ANCHOR
ITW TAPCON®	1/4"	1-1/4"	2-1/2"	4"
DYNABOLT SLEEVE ANCHOR	3/8"	1-1/2"	2-1/4"	4-1/2"
POWERS TAPPER	3/8"	1-1/2"	4"	3-3/4"

PROFESSIONAL ENGINEER

 L. SCHMIDT LICENSE No. 43409

November 15, 2022
 Documents Prepared By:
 Lyndon F. Schmidt
 P.E. No. 43409
 R.W. BUILDING CONSULTANTS, INC.
 P.O. Box 230, Valrico, FL 33595
 Phone No.: 813.659.9197
 FBPE Registry No. 9813

PRODUCT:		PART OR ASSEMBLY:	
PREMIER PRODUCTS, INC.		"D" STEEL DOOR	
		ANCHORING DETAILS	
NO.	DATE	BY	
		REVISIONS	
DATE: 11/10/22			
SCALE: N.T.S.			
DWG. BY: LFS			
CHK. BY: RW			
DRAWING NO.:			
FL-41788.20			
SHEET 4 OF 6			

© 2022 R.W. BUILDING CONSULTANTS INC.

